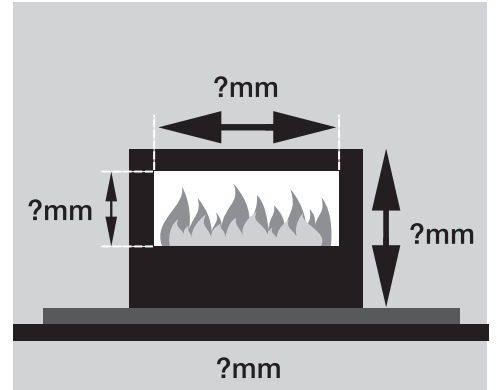


# HIGHGATE FIREGUARD

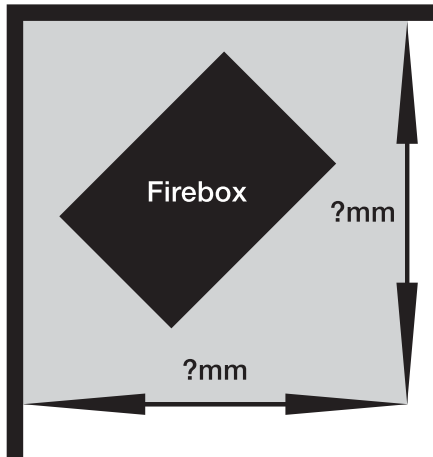
**Thank you for considering a Highgate Fireguard.**

1. Please indicate below whether you require a **free quotation**, or are **ordering** a fireguard to be made:
  - To quote
  - To order
2. Please indicate below the style required to fit your fireplace and hearth:
  - Corner-2
  - Corner-3
  - Flatwall-3
  - Flatwall-5
  - Other – please draw the shape that you require on a sheet of paper and write on your drawing the measurements, then send/fax it to us with this completed form.
3. **First**, measure the firebox and show this on the top graphic. **Second**, measure the outside edge of the hearth and provide this info on the graphic of the style that you require.
4. Please indicate colour:
  - Black
  - Other – either specify a paint colour from a colour chart or send a colour sample.
 Paint brand, colour name and code:

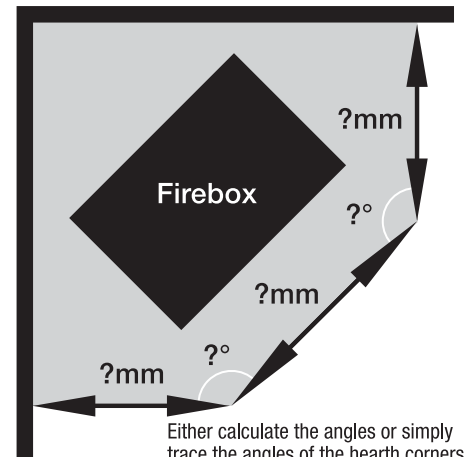
## FIREBOX SPECS



CORNER-2



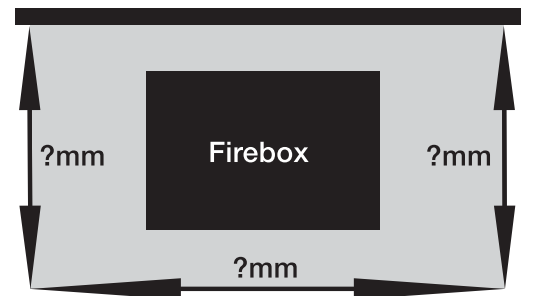
CORNER-3



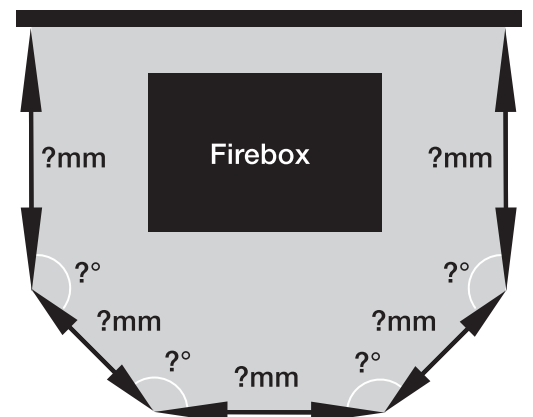
Either calculate the angles or simply trace the angles of the hearth corners on a sheet of paper and send to us.

5. Please indicate which other Highgate products you require. We will happily supply you with a free quotation:
  - Spark guards     Heater guards
  - Coal buckets     Log stands (see photo on front)
  - Coal shovels     Pokers
6. Please indicate whether you wish to collect your purchase from Otago Wireworks, or wish it to be freighted to the address shown below. The cost of freight is additional.
  - I will collect     Please deliver to the address shown below
7. Payment is by either cash on collection, or cheque payable to Otago Wireworks.

FLATWALL-3



FLATWALL-5



Name \_\_\_\_\_

Address \_\_\_\_\_

\_\_\_\_\_

Phone no. \_\_\_\_\_ Fax no. \_\_\_\_\_

Email \_\_\_\_\_

Either post this form to PO Box 2240, South Dunedin, Dunedin 9044, or fax to (03)455-5837, or email sales@highgatecraft.co.nz